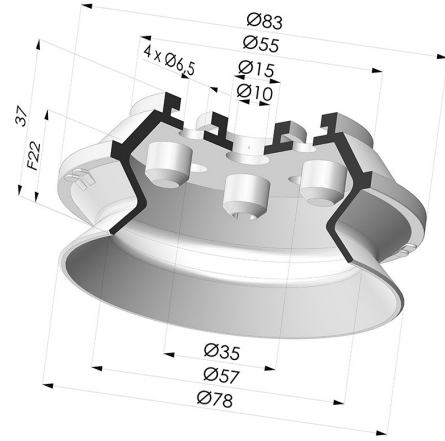


**TECHNICAL INFORMATION**

<b>Arrow :</b>	22 mm
<b>Category :</b>	With bellows
<b>Contact lip diameter :</b>	75 mm
<b>Height (in mm) :</b>	37
<b>Horizontal force :</b>	200 N
<b>inner barrel diameter :</b>	10mm
<b>Number of bellows :</b>	1.5 Bellows
<b>Range :</b>	Suction cup
<b>Series :</b>	91
<b>Shape :</b>	1.5 Bellows
<b>Vertical force :</b>	100 N



**Variants:**



Variant reference:  
**91 75SL A**

- Color: Red food-grade CE certification
- Matter: Silicone
- Shore Hardness: SH60



Variant reference:  
**91 75SLT A**

- Color: Translucent
- CE food certified
- Matter: Silicone
- Shore Hardness: SH60



Variant reference:  
**91 75TPU A**

- Color: Translucent
- Matter: Thermoplastic
- Shore Hardness: SH60



Variant reference:  
**91 75NI A**

- Color: Black
- Matter: Nitrile
- Shore Hardness: SH50

**Related products:**

**Bellows Suction Cup 1.5 folds Series 91, Ø 75 mm**  
 Product reference: 91 75-- 12

**Ventouse 1.5 Soufflets Série 91 Ø 75MM**  
 Product reference: 91 75-- 14

**Bellows Suction Cup 1.5 folds Series 91, Ø 75 mm**  
 Product reference: 91 75-- 18

**Bellows Suction Cup 1.5 folds Series 91, Ø 75 mm**  
 Product reference: 91 75-- 38