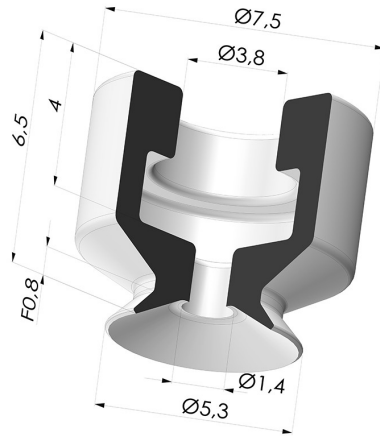


TECHNICAL INFORMATION

Arrow :	0.8 mm
Category :	Plates
Contact lip diameter :	5.3 mm
Height (in mm) :	6.5
Horizontal force :	1 N
inner barrel diameter :	3.8 mm
Number of bellows :	0.5 Bellows
Range :	Suction cup
Series :	PFG
Shape :	Plate
Vertical force :	0.5 N



Variants:



Variant reference:

PFG 05ASLT A

- Color: Translucent
- CE food certified
- Matter: Silicone
- Shore Hardness: SH60



Variant reference:

PFG 05ANI A

- Color: Black
- Matter: Nitrile
- Shore Hardness: SH50

Related products:

**Flat suction cup series
 PFTM, Ø 5.3 mm**
 Product reference: PFTM 5A--
 M5

**Separable Female Fitting
 1/8G**
 Product reference: FTF 5A
 G1/8

**Separable Male Fitting
 1/8G**
 Product reference: FTM 5A
 G1/8

Separable Male Fitting M5
 Product reference: FTM 5A M5