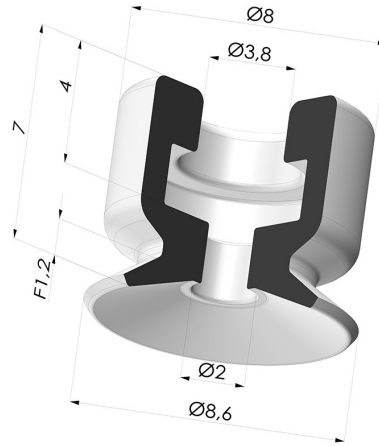


TECHNICAL INFORMATION

Arrow :	1.2 mm
Category :	Plates
Contact lip diameter :	8.6 mm
Height (in mm) :	7
Horizontal force :	2.7 N
inner barrel diameter :	3.8 mm
Number of bellows :	0.5 Bellows
Range :	Suction cup
Series :	PFG
Shape :	Plate
Vertical force :	1.3



Variants:



Variant reference:
PFG 08ASLT A

- Color: Translucent
- CE food certified
- Matter: Silicone
- Shore Hardness: SH60



Variant reference:
PFG 08ANI A

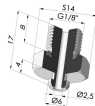
- Color: Black
- Matter: Nitrile
- Shore Hardness: SH50

Related products:



Separable Female Fitting 1/8G

Product reference: FTF 5A G1/8



Separable Male Fitting 1/8G

Product reference: FTM 5A G1/8



Separable Male Fitting M5

Product reference: FTM 5A M5