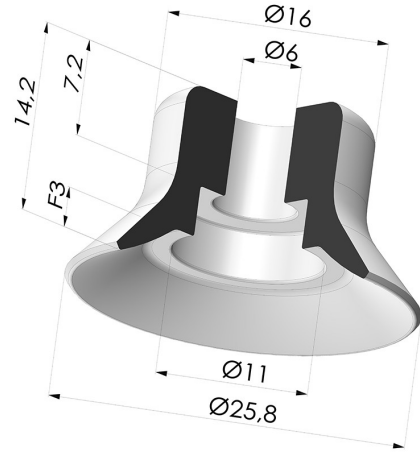


TECHNICAL INFORMATION

| | |
|--------------------------------|-------------|
| Arrow : | 3 mm |
| Category : | Plates |
| Contact lip diameter : | 25.8 mm |
| Height (in mm) : | 14.2 |
| Horizontal force : | 24 N |
| inner barrel diameter : | 6 mm |
| Number of bellows : | 0.5 Bellows |
| Range : | Suction cup |
| Series : | PFG |
| Shape : | Plate |
| Vertical force : | 12 N |



Variants:



Variant reference:

PFG 25SLT A

- Color: Translucent
- CE food certified
- Matter: Silicone
- Shore Hardness: SH60



Variant reference:

PFG 25NI A

- Color: Black
- Matter: Nitrile
- Shore Hardness: SH50



Variant reference:

PFG 25UR A

- Color: Blue
- Matter: Urethane
- Shore Hardness: SH60

Related products:



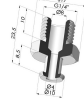
**Separable Female Fitting
1/4G**

Product reference: FTF 20B
 G1/4



**Separable Female Fitting
1/8G**

Product reference: FTF 20B
 G1/8



**Separable Male Fitting
1/4G**

Product reference: FTM 20B
 G1/4



**Separable Male Fitting
1/8G**

Product reference: FTM 20B
 G1/8