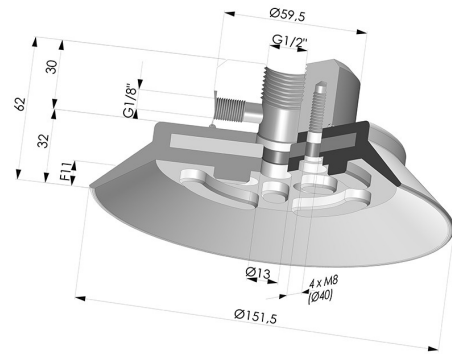


**TECHNICAL INFORMATION**

<b>Arrow :</b>	11 mm
<b>Category :</b>	Plates
<b>Contact lip diameter :</b>	151.5 mm
<b>Height (in mm) :</b>	62
<b>Horizontal force :</b>	819 N
<b>inner barrel diameter :</b>	Female G1/2"
<b>Number of bellows :</b>	0.5 Bellows
<b>Outer diameter :</b>	152 mm
<b>Range :</b>	Suction cup
<b>Series :</b>	PFTF
<b>Shape :</b>	Plate
<b>Vertical force :</b>	409 N



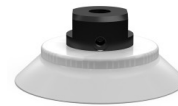
**Variants:**



Variant reference:

**PFTF 150NI 1/2**

- Color: Black
- Matter: Nitrile
- Shore Hardness: SH50



Variant reference:

**PFTF 150SLT 1/2**

- Color: Translucent
- CE food certified
- Matter: Silicone
- Shore Hardness: SH60