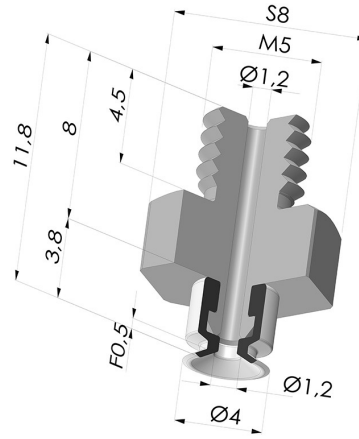


TECHNICAL INFORMATION

- Arrow :** 0.5 mm
Category : Plates
Contact lip diameter : 4 mm
Height (in mm) : 11.8
Horizontal force : 0.6 N
inner barrel diameter : M5
Number of bellows : 0.5 Bellows
Range : Suction cup
Series : PFTM
Shape : Plate
Vertical force : 0.3 N



Variants:



Variant reference:
PFTM 3.5ASLT M5M

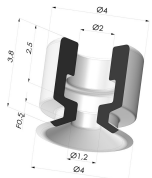
- Color: Translucent
- Matter: Silicone
- Shore Hardness: SH60



Variant reference:
PFTM 3.5ANI M5M

- Color: Black
- Matter: Nitrile
- Shore Hardness: SH50

Related products:



Flat suction cup series PFG, Ø 4 mm

Product reference: PFG 3.5A-- A



Separable Male Fitting M5

Product reference: FTM 2A M5