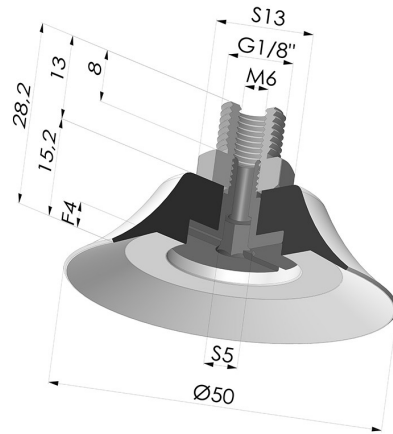


**TECHNICAL INFORMATION**

|                                |             |
|--------------------------------|-------------|
| <b>Arrow :</b>                 | 4 mm        |
| <b>Category :</b>              | Plates      |
| <b>Contact lip diameter :</b>  | 50 mm       |
| <b>Height (in mm) :</b>        | 28.2        |
| <b>Horizontal force :</b>      | 90 N        |
| <b>inner barrel diameter :</b> | M6          |
| <b>Number of bellows :</b>     | 0.5 Bellows |
| <b>Range :</b>                 | Suction cup |
| <b>Series :</b>                | PFTM        |
| <b>Shape :</b>                 | Plate       |
| <b>Vertical force :</b>        | 45 N        |



**Variants:**



Variant reference:

**PFTM 50SLT 1/8**

- Color: Translucent
- Matter: Silicone
- Shore Hardness: SH60



Variant reference:

**PFTM 50NI 1/8**

- Color: Black
- Matter: Nitrile
- Shore Hardness: SH50