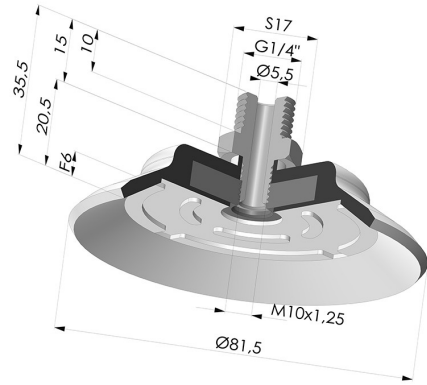


**TECHNICAL INFORMATION**

<b>Arrow :</b>	6 mm
<b>Category :</b>	Plates
<b>Contact lip diameter :</b>	81.5 mm
<b>Height (in mm) :</b>	35.5
<b>Horizontal force :</b>	237 N
<b>inner barrel diameter :</b>	Male G1/4"
<b>Number of bellows :</b>	0.5 Bellows
<b>Range :</b>	Suction cup
<b>Series :</b>	PFTM
<b>Shape :</b>	Plate
<b>Vertical force :</b>	118.5 N



**Variants:**



Variant reference:

**PFTM 80SLT 1/4**

- Color: Translucent
- CE food certified
- Matter: Silicone
- Shore Hardness: SH60



Variant reference:

**PFTM 80NI 1/4**

- Color: Black
- Matter: Nitrile
- Shore Hardness: SH50