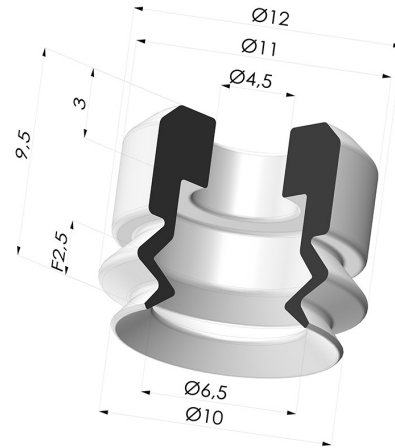
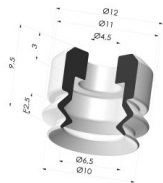


TECHNICAL INFORMATION

Arrow :	2.5 mm
Category :	With bellows
Contact lip diameter :	10.2 mm
Height (in mm) :	9.5
Horizontal force :	3.5 N
inner barrel diameter :	4.5mm
Number of bellows :	1.5 Bellows
Range :	Suction cup
Series :	PJG
Shape :	1.5 Bellows
Vertical force :	1.9 N



Variants:



Variant reference:

PJG 10NI A

- Color: Black
- Matter: Nitrile
- Shore Hardness: SH50



Variant reference:

PJG 10SLT A

- Color: Translucent
- CE food certified
- Matter: Silicone
- Shore Hardness: SH60

Related products:



**Adaptor - Female
1/8G - Female M5**

Product reference: ADA
G1/8F M5F



**Adaptor - Male 1/8G
- Female M5**

Product reference: ADA
G1/8M M5F



**Separable Male
Fitting 1/8G**

Product reference: FTM
20 G1/8 PO



**Separable Male
Fitting M5**

Product reference: FTM
5A M5



**Screw M5 - Head Ø
8 mm - L 9 mm**

Product reference: SCR
15 M5M