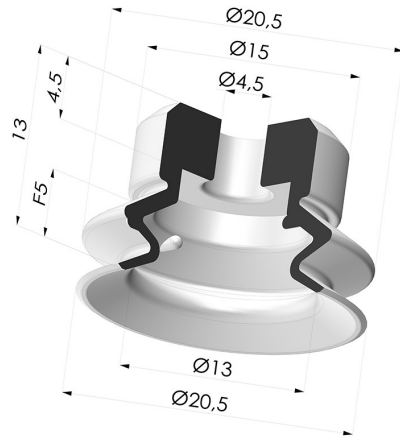
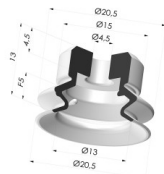


TECHNICAL INFORMATION

- Arrow :** 5 mm
- Category :** With bellows
- Contact lip diameter :** 20.5 mm
- Height (in mm) :** 13
- Horizontal force :** 13 N
- inner barrel diameter :** 4.5mm
- Number of bellows :** 1.5 Bellows
- Range :** Suction cup
- Series :** PJG
- Shape :** 1.5 Bellows
- Vertical force :** 6.5 N



Variants:



Variant reference:

PJG 20NI A

- Color: Black
- Matter: Nitrile
- Shore Hardness: SH50



Variant reference:

PJG 20SLT A

- Color: Translucent
- CE food certified
- Matter: Silicone
- Shore Hardness: SH60

Related products:



**Adaptor - Female
1/4G - Female M6**

Product reference: ADA
G1/4F M6F



**Adaptor - Male 1/4G
- Female M6**

Product reference: ADA
G1/4M M6F



**Adaptor - Female
1/8G - Female M6**

Product reference: ADA
G1/8F M6F



**Adaptor - Male 1/8G
- Female M6**

Product reference: ADA
G1/8M M6F



**Separable Male
Fitting 1/8G**

Product reference: FTM
20 G1/8 PO



**Screw M5 - Head Ø
11 mm - L 12 mm**

Product reference: SCR
20 M5M



**Screw M6 - Head Ø
11 mm - L 17 mm**

Product reference: SCR
20B M6M