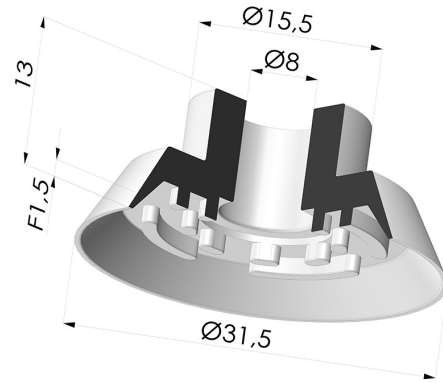


TECHNICAL INFORMATION

Arrow :	1.5 mm
Category :	Plates
Contact lip diameter :	31.5 mm
Height (in mm) :	13
Horizontal force :	35.5 N
inner barrel diameter :	8 mm
Number of bellows :	0.5 Bellows
Range :	Suction cup
Series :	7
Shape :	Plate
Vertical force :	17.5 N



Variants:



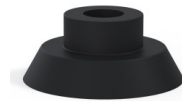
Variant reference:
7 31.5CN A

- Color: Brown FDA food certified
- Matter: Natural rubber
- Shore Hardness: SH40



Variant reference:
7 31.5SLT A

- Color: Translucent
- CE food certified
- Matter: Silicone
- Shore Hardness: SH60



Variant reference:
7 31.5NI A

- Color: Black
- Matter: Nitrile
- Shore Hardness: SH50

Related products:



Separable Female Fitting G1/4"

Product reference: DS



Separable Male Fitting G1/4"

Product reference: ES