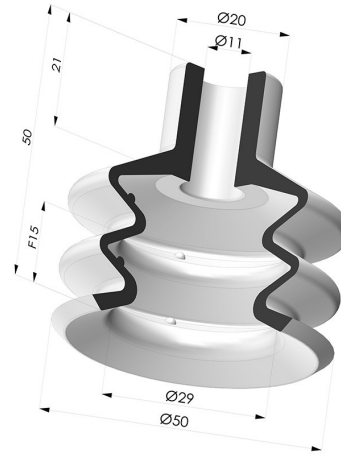


TECHNICAL INFORMATION

Arrow :	15 mm
Category :	With bellows
Contact lip diameter :	50 mm
Height (in mm) :	50
Horizontal force :	72 N
inner barrel diameter :	11mm
Number of bellows :	2.5 Bellows
Range :	Suction cup
Series :	8
Shape :	2.5 Bellows
Vertical force :	36 N



Variants:



Variant reference:

88 50NI A

- Color: Black
- Matter: Nitrile
- Shore Hardness: SH50

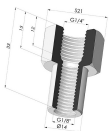


Variant reference:

88 50SLT A

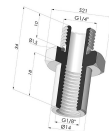
- Color: Translucent
- CE food certified
- Matter: Silicone
- Shore Hardness: SH60

Related products:



Crimped Female Fitting G1/4"

Product reference: N



Crimped Male Fitting G1/4"

Product reference: O