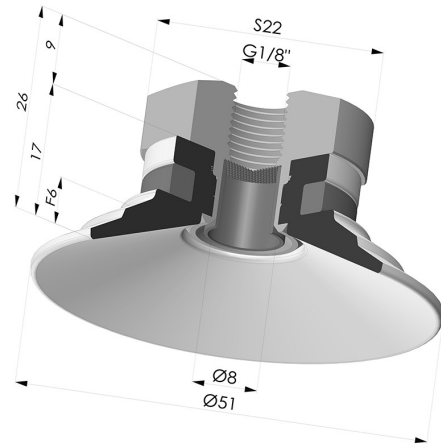


**TECHNICAL INFORMATION**

<b>Arrow :</b>	6 mm
<b>Category :</b>	Plates
<b>Contact lip diameter :</b>	51 mm
<b>Height (in mm) :</b>	26
<b>Horizontal force :</b>	88 N
<b>inner barrel diameter :</b>	Female G1/8"
<b>Number of bellows :</b>	0.5 Bellows
<b>Range :</b>	Suction cup
<b>Series :</b>	9
<b>Shape :</b>	Plate
<b>Vertical force :</b>	44 N



**Variants:**



Variant reference:  
**9 50SL 18D-2-F**

- Color: Red food-grade CE certification
  - Matter: Silicone
  - Shore Hardness: SH60



Variant reference:  
**9 50SLT 18D-2-F**

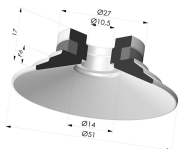
- Color: Translucent
  - CE food certified
  - Matter: Silicone
- Shore Hardness: SH60



Variant reference:  
**9 50NI 18D-2-F**

- Color: Black
  - Matter: Nitrile
- Shore Hardness: SH50

**Related products:**



**Flat Suction Cup Series 9, Ø 50 mm**

Product reference: 9 50-- A



**Separable Female Fitting 1/8G - with Filter**

Product reference: 9G18-2-F