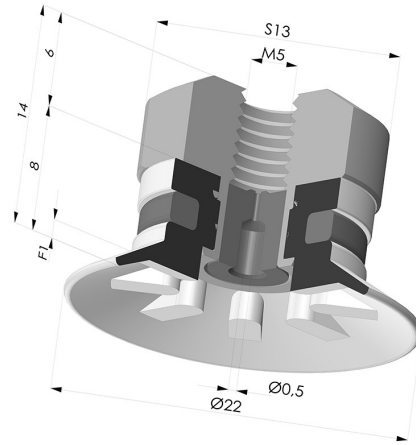


**TECHNICAL INFORMATION**

<b>Arrow :</b>	1 mm
<b>Category :</b>	Plates
<b>Contact lip diameter :</b>	22
<b>Height (in mm) :</b>	14
<b>Horizontal force :</b>	16 N
<b>inner barrel diameter :</b>	M5
<b>Number of bellows :</b>	0.5 Bellows
<b>Range :</b>	Suction cup
<b>Series :</b>	90
<b>Shape :</b>	Plate
<b>Vertical force :</b>	8 N



**Variants:**



Variant reference:  
**90 20SL FM5GIC**

- Color: Red food-grade CE certification
- Matter: Silicone
- Shore Hardness: SH60



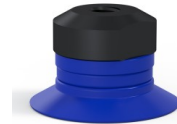
Variant reference:  
**90 20SLT FM5GIC**

- Color: Translucent
- CE food certified
- Matter: Silicone
- Shore Hardness: SH60



Variant reference:  
**90 20NI FM5GIC**

- Color: Black
- Matter: Nitrile
- Shore Hardness: SH50



Variant reference:  
**90 20PU FM5GIC**

- Color: Blue
- Matter: PU
- Shore Hardness: SH60

**Related products:**

**Flat Suction Cup Series 90, Ø 20 mm**  
 Product reference: 90 20-- A

**Separable Female Fitting M5 - with Spray Nozzle**  
 Product reference: 9PM5-2-GIC