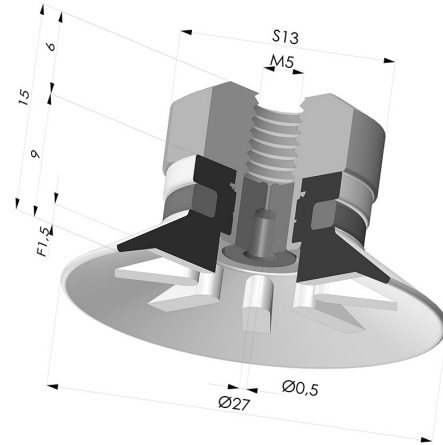


**TECHNICAL INFORMATION**

<b>Arrow :</b>	1.5 mm
<b>Category :</b>	Plates
<b>Contact lip diameter :</b>	27
<b>Height (in mm) :</b>	15
<b>Horizontal force :</b>	24 N
<b>inner barrel diameter :</b>	M5
<b>Number of bellows :</b>	0.5 Bellows
<b>Range :</b>	Suction cup
<b>Series :</b>	90
<b>Shape :</b>	Plate
<b>Vertical force :</b>	12 N



**Variants:**



Variant reference:  
**90 25SL FM5GIC**

- Color: Red food-grade CE certification
- Matter: Silicone
- Shore Hardness: SH60



Variant reference:  
**90 25SLT FM5GIC**

- Color: Translucent
- CE food certified
- Matter: Silicone
- Shore Hardness: SH60



Variant reference:  
**90 25NI FM5GIC**

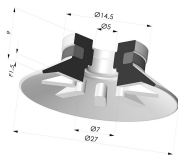
- Color: Black
- Matter: Nitrile
- Shore Hardness: SH50



Variant reference:  
**90 25PU FM5GIC**

- Color: Blue
- Matter: PU
- Shore Hardness: SH60

**Related products:**



**Flat Suction Cup Series 90, Ø 25 mm**

Product reference: 90 25-- A



**Separable Female Fitting M5 - with Spray Nozzle**

Product reference: 9PM5-2-GIC