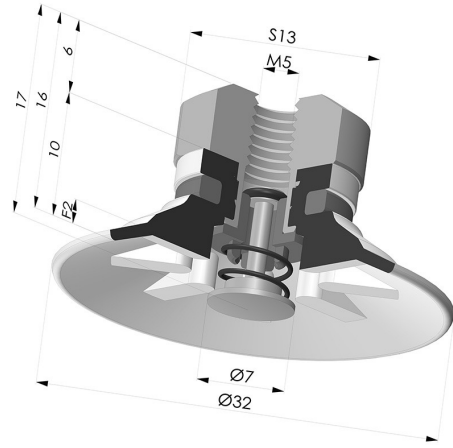


TECHNICAL INFORMATION

Arrow :	2 mm
Category :	Plates
Contact lip diameter :	32
Height (in mm) :	17
Horizontal force :	33 N
inner barrel diameter :	M5
Number of bellows :	0.5 Bellows
Range :	Suction cup
Series :	90
Shape :	Plate
Vertical force :	17 N



Variants:



Variant reference:
90 30SL FM5PAL

- Color: Red food-grade CE certification
 - Matter: Silicone
 - Shore Hardness: SH60



Variant reference:
90 30SLT FM5PAL

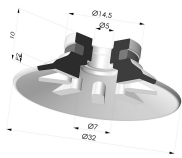
- Color: Translucent
 - CE food certified
 - Matter: Silicone
- Shore Hardness: SH60



Variant reference:
90 30NI FM5PAL

- Color: Black
 - Matter: Nitrile
- Shore Hardness: SH50

Related products:



Flat Suction Cup Series 90, Ø 30 mm

Product reference: 90 30-- A



Separable Female Fitting M5 - with Check Valve

Product reference: 9PM5-2-PAL