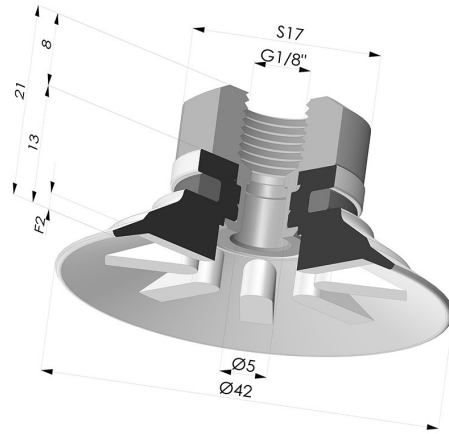


**TECHNICAL INFORMATION**

<b>Arrow :</b>	2 mm
<b>Category :</b>	Plates
<b>Contact lip diameter :</b>	42
<b>Height (in mm) :</b>	21
<b>Horizontal force :</b>	60 N
<b>inner barrel diameter :</b>	G1/8
<b>Number of bellows :</b>	0.5 Bellows
<b>Range :</b>	Suction cup
<b>Series :</b>	90
<b>Shape :</b>	Plate
<b>Vertical force :</b>	30 N



**Variants:**



Variant reference:  
**90 40SL 18D-2**

- Color: Red food-grade CE certification
- Matter: Silicone
- Shore Hardness: SH60



Variant reference:  
**90 40SLT 18D-2**

- Color: Translucent
- CE food certified
- Matter: Silicone
- Shore Hardness: SH60



Variant reference:  
**90 40NI 18D-2**

- Color: Black
- Matter: Nitrile
- Shore Hardness: SH50

**Related products:**

**Flat Suction Cup Series 90, Ø 40 mm**  
 Product reference: 90 40-- A

**Separable Female Fitting 1/8G**  
 Product reference: 9M18-2