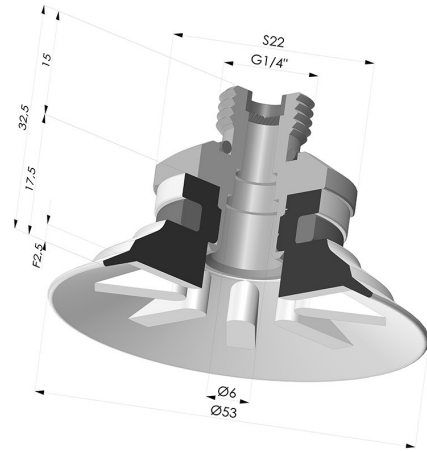


**TECHNICAL INFORMATION**

<b>Arrow :</b>	2.5 mm
<b>Category :</b>	Plates
<b>Contact lip diameter :</b>	53
<b>Height (in mm) :</b>	32.5
<b>Horizontal force :</b>	96 N
<b>inner barrel diameter :</b>	G1/4
<b>Number of bellows :</b>	0.5 Bellows
<b>Range :</b>	Suction cup
<b>Series :</b>	90
<b>Shape :</b>	Plate
<b>Vertical force :</b>	48 N



**Variants:**



Variant reference:  
**90 50SL 14D-2-F**

- Color: Red food-grade CE certification
- Matter: Silicone
- Shore Hardness: SH60



Variant reference:  
**90 50SLT 14D-2-F**

- Color: Translucent
- CE food certified
- Matter: Silicone
- Shore Hardness: SH60



Variant reference:  
**90 50NI 14D-2-F**

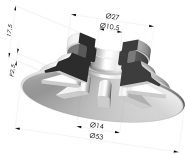
- Color: Black
- Matter: Nitrile
- Shore Hardness: SH50



Variant reference:  
**90 50TPU 14D-2-F**

- Color: Translucent
- Matter: Thermoplastic
- Shore Hardness: SH70

**Related products:**



**Flat Suction Cup Series 90, Ø 50 mm**

Product reference: 90 50-- A



**Separable Male Fitting 1/4G - with Filter**

Product reference: 9G14-2-F