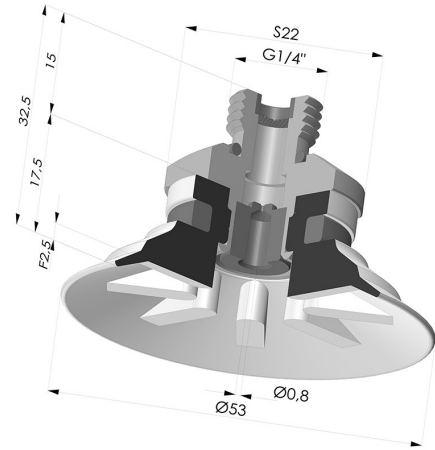


TECHNICAL INFORMATION

| | |
|--------------------------------|-------------|
| Arrow : | 2.5 mm |
| Category : | Plates |
| Contact lip diameter : | 53 |
| Height (in mm) : | 32.5 |
| Horizontal force : | 96 N |
| inner barrel diameter : | G1/4 |
| Number of bellows : | 0.5 Bellows |
| Range : | Suction cup |
| Series : | 90 |
| Shape : | Plate |
| Vertical force : | 48 N |



Variants:



Variant reference:
90 50SL 14D-2-GIC

- Color: Red food-grade CE certification
- Matter: Silicone
- Shore Hardness: SH60



Variant reference:
90 50SLT 14D-2-GIC

- Color: Translucent
- CE food certified
- Matter: Silicone
- Shore Hardness: SH60



Variant reference:
90 50NI 14D-2-GIC

- Color: Black
- Matter: Nitrile
- Shore Hardness: SH50

Related products:

Flat Suction Cup Series 90, Ø 50 mm
 Product reference: 90 50-- A

Separable Male Fitting 1/4G - with Spray Nozzle
 Product reference: 9G14-2-GIC