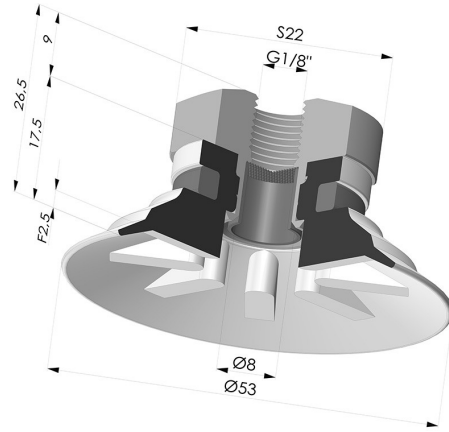


TECHNICAL INFORMATION

Arrow :	2.5 mm
Category :	Plates
Contact lip diameter :	53
Height (in mm) :	26.5
Horizontal force :	96 N
inner barrel diameter :	G1/8
Number of bellows :	0.5 Bellows
Range :	Suction cup
Series :	90
Shape :	Plate
Vertical force :	48 N

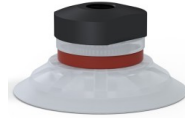


Variants:



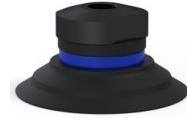
Variant reference:
90 50SL 18D-2-F

- Color: Red food-grade CE certification
 - Matter: Silicone
 - Shore Hardness: SH60



Variant reference:
90 50SLT 18D-2-F

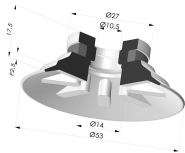
- Color: Translucent
 - CE food certified
 - Matter: Silicone
- Shore Hardness: SH60



Variant reference:
90 50NI 18D-2-F

- Color: Black
 - Matter: Nitrile
- Shore Hardness: SH50

Related products:



Flat Suction Cup Series 90, Ø 50 mm

Product reference: 90 50-- A



Separable Female Fitting 1/8G - with Filter

Product reference: 9G18-2-F