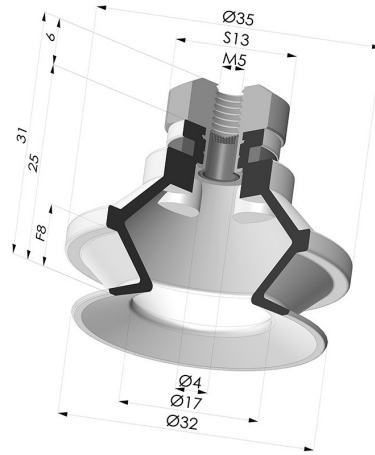


TECHNICAL INFORMATION

Arrow :	8 mm
Category :	With bellows
Contact lip diameter :	31.8 mm
Height (in mm) :	31
Horizontal force :	31 N
inner barrel diameter :	M5
Number of bellows :	1.5 Bellows
Range :	Suction cup
Series :	91
Shape :	1.5 Bellows
Vertical force :	15.5 N



Variants:



Variant reference:
91 30SL FM5F

- Color: Red food-grade CE certification
- Matter: Silicone
- Shore Hardness: SH60



Variant reference:
91 30SLT FM5F

- Color: Translucent
- CE food certified
- Matter: Silicone
- Shore Hardness: SH60



Variant reference:
91 30NI FM5F

- Color: Black
- Matter: Nitrile
- Shore Hardness: SH50



Variant reference:
91 30TPU FM5F

- Color: Translucent
- Matter: Thermoplastic
- Shore Hardness: SH70

Related products:

Bellows Suction Cup 1.5 folds Series 91, Ø 30 mm
 Product reference: 91 30-- A

Separable Female Fitting M5 - with Filter
 Product reference: 9PM5-2-F