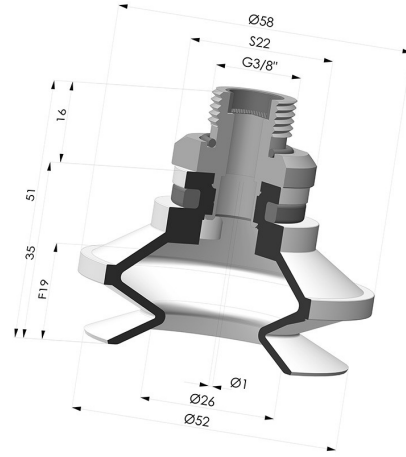


TECHNICAL INFORMATION

Arrow :	19 mm
Category :	With bellows
Contact lip diameter :	50 mm
Height (in mm) :	51
Horizontal force :	82 N
inner barrel diameter :	Male G3/8"
Number of bellows :	1.5 Bellows
Range :	Suction cup
Series :	91
Shape :	1.5 Bellows
Vertical force :	41 N



Variants:



Variant reference:
91 50NI 38D-2-F

- Color: Black
- Matter: Nitrile
- Shore Hardness: SH50



Variant reference:
91 50SL 38D-2-F

- Color: Red food-grade CE certification
- Matter: Silicone
- Shore Hardness: SH60



Variant reference:
91 50SLT 38D-2-F

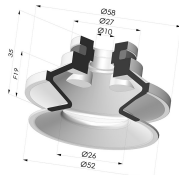
- Color: Translucent
- CE food certified
- Matter: Silicone
- Shore Hardness: SH60



Variant reference:
91 50TPU 38D-2-F

- Color: Translucent
- Matter: Thermoplastic
- Shore Hardness: SH70

Related products:



Bellows Suction Cup 1.5 folds Series 91, Ø 50 mm

Product reference: 91 50-- A



Separable Male Fitting 3/8G - with Filter

Product reference: 9G38-2-F