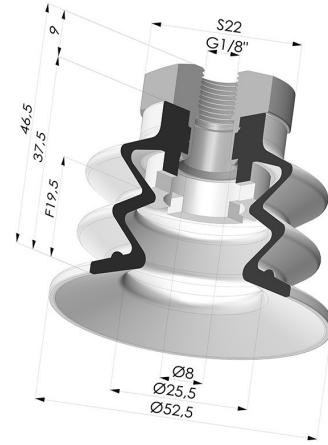


TECHNICAL INFORMATION

Arrow :	19.5 mm
Category :	With bellows
Contact lip diameter :	52 mm
Height (in mm) :	46.5
Horizontal force :	92 N
inner barrel diameter :	Female G1/8"
Number of bellows :	2.5 Bellows
Range :	Suction cup
Series :	96
Shape :	2.5 Bellows
Vertical force :	46 N



Variants:



Variant reference:
96 52SL 18D-2

- Color: Red food-grade CE certification
- Matter: Silicone
- Shore Hardness: SH60



Variant reference:
96 52SLT 18D-2

- Color: Translucent
- CE food certified
- Matter: Silicone
- Shore Hardness: SH60



Variant reference:
96 52NI 18D-2

- Color: Black
- Matter: Nitrile
- Shore Hardness: SH50



Variant reference:
96 52NR 18D-2

- Color: Gray
- Matter: Natural rubber
- Shore Hardness: SH50

Related products:

Bellows Suction Cup 2.5 folds Series 96, Ø 52 mm
 Product reference: 96 52-- A

Separable Female Fitting 1/8G
 Product reference: 9G18-2