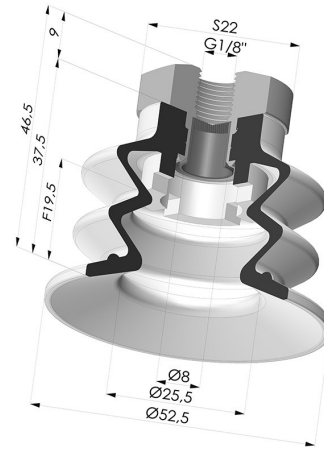


**TECHNICAL INFORMATION**

<b>Arrow :</b>	19.5 mm
<b>Category :</b>	With bellows
<b>Contact lip diameter :</b>	52 mm
<b>Height (in mm) :</b>	46.5
<b>Horizontal force :</b>	92 N
<b>inner barrel diameter :</b>	Female G1/8"
<b>Number of bellows :</b>	2.5 Bellows
<b>Range :</b>	Suction cup
<b>Series :</b>	96
<b>Shape :</b>	2.5 Bellows
<b>Vertical force :</b>	46 N



**Variants:**



Variant reference:  
**96 52SL 18D-2-F**

- Color: Red food-grade CE certification
- Matter: Silicone
- Shore Hardness: SH60



Variant reference:  
**96 52SLT 18D-2-F**

- Color: Translucent
- CE food certified
- Matter: Silicone
- Shore Hardness: SH60



Variant reference:  
**96 52NI 18D-2-F**

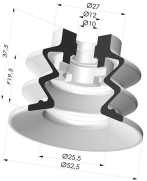
- Color: Black
- Matter: Nitrile
- Shore Hardness: SH50



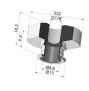
Variant reference:  
**96 52NR 18D-2-F**

- Color: Gray
- Matter: Natural rubber
- Shore Hardness: SH50

**Related products:**



**Bellows Suction Cup 2.5 folds Series 96, Ø 52 mm**  
 Product reference: 96 52-- A



**Separable Female Fitting 1/8G - with Filter**  
 Product reference: 9G18-2-F