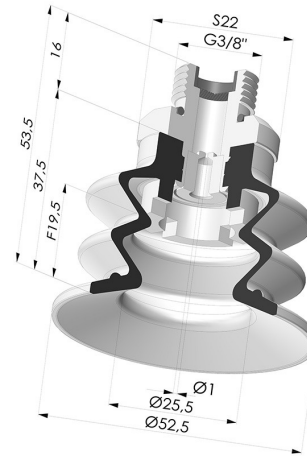


TECHNICAL INFORMATION

| | |
|--------------------------------|--------------|
| Arrow : | 19.5 mm |
| Category : | With bellows |
| Contact lip diameter : | 52 mm |
| Height (in mm) : | 53.5 |
| Horizontal force : | 92 N |
| inner barrel diameter : | Male G3/8" |
| Number of bellows : | 2.5 Bellows |
| Range : | Suction cup |
| Series : | 96 |
| Shape : | 2.5 Bellows |
| Vertical force : | 46 N |



Variants:



Variant reference:
96 52SL 38D-2-GIC

- Color: Red food-grade CE certification
- Matter: Silicone
- Shore Hardness: SH60



Variant reference:
96 52SLT 38D-2-GIC

- Color: Translucent
- CE food certified
- Matter: Silicone
- Shore Hardness: SH60



Variant reference:
96 52NI 38D-2-GIC

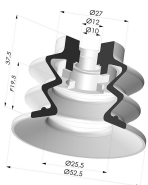
- Color: Black
- Matter: Nitrile
- Shore Hardness: SH50



Variant reference:
96 52NR 38D-2-GIC

- Color: Gray
- Matter: Natural rubber
- Shore Hardness: SH50

Related products:



Bellows Suction Cup 2.5 folds Series 96, Ø 52 mm

Product reference: 96 52-- A



Separable Male Fitting 3/8 G - with Spray Nozzle

Product reference: 9G38-2-GIC