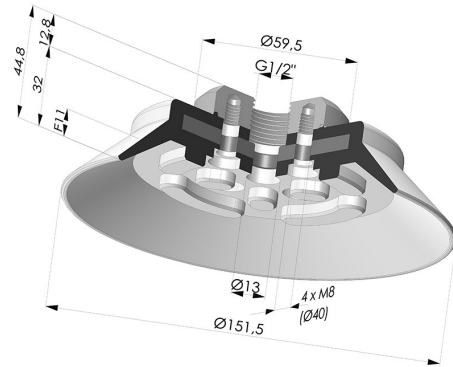
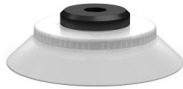


**TECHNICAL INFORMATION**

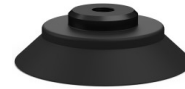
<b>Arrow :</b>	11 mm
<b>Category :</b>	Plates
<b>Contact lip diameter :</b>	151.5 mm
<b>Height (in mm) :</b>	62
<b>Height (in mm) :</b>	45
<b>Horizontal force :</b>	819 N
<b>inner barrel diameter :</b>	Female G1/2"
<b>Number of bellows :</b>	0.5 Bellows
<b>Outer diameter :</b>	152 mm
<b>Range :</b>	Suction cup
<b>Series :</b>	PFTF
<b>Shape :</b>	Plate
<b>Vertical force :</b>	409 N



**Variants:**



- Variant reference:  
**PFTF 150SSLT 1/2**
- Color: Translucent
  - Matter: Silicone
  - Shore Hardness: SH60



- Variant reference:  
**PFTF 150SNI 1/2**
- Color: Black
  - Matter: Nitrile
  - Shore Hardness: SH50